

# 4K HD Vandal-resistant IR Fixed Dome Network Camera

IPC328LE-ADF28(40)K-G



## Key Features



- High quality image with 8MP, 1/2.7"CMOS sensor
- 8MP (3840\*2160)@20fps; 5MP (3072\*1728)@30/25fps; 4MP (2560\*1440)@30/25fps; 2MP (1920\*1080) @30/25fps
- Ultra 265, H.265, H.264, MJPEG
- EasyStar technology ensures high image quality in low illumination environment
- 120dB true WDR technology enables clear image in strong light scene
- Support 9:16 Corridor Mode
- Built-in Mic
- Smart IR, up to 30m (98ft) IR distance
- Supports 256 G Micro SD card
- IK10 vandal resistant
- IP67 protection
- Support PoE power supply
- 3-Axis

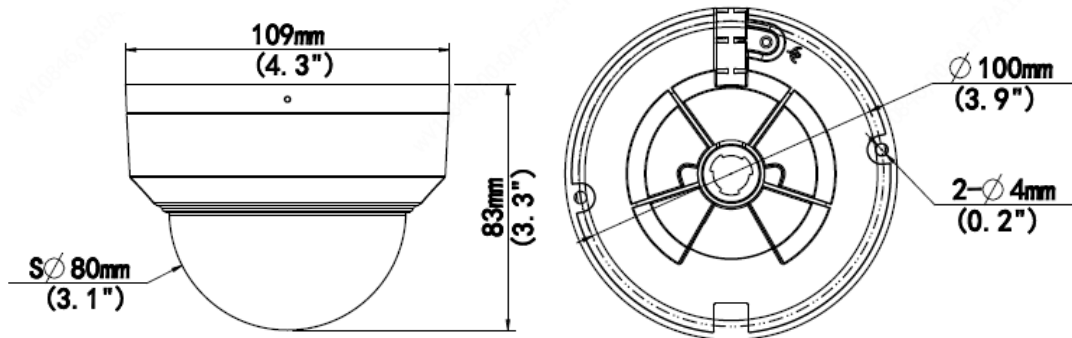
## Specifications

|                         | IPC328LE-ADF28K-G   | IPC328LE-ADF40K-G |             |               |              |
|-------------------------|---|-------------------|-------------|---------------|--------------|
| <b>Camera</b>           |   |                   |             |               |              |
| Sensor                  | 1/2.7", 8.0 megapixel, progressive scan, CMOS   |                   |             |               |              |
| Minimum Illumination    | Support Easystar: Colour: 0.005Lux ( F1.6, AGC ON)<br>0Lux with IR on   |                   |             |               |              |
| Day/Night               | IR-cut filter with auto switch (ICR)  |                   |             |               |              |
| Shutter                 | Auto/Manual, 1 ~ 1/100000s  |                   |             |               |              |
| Adjustment angle        | Pan: 8° to 360°, Tilt: 0° to 68°, Rotate: 10° to 360°   |                   |             |               |              |
| S/N                     | >56dB   |                   |             |               |              |
| WDR                     | 120dB   |                   |             |               |              |
| <b>Lens</b>             |   |                   |             |               |              |
| Lens Type               | 2.8mm and 4.0mm @1.6, Fixed-focal   |                   |             |               |              |
| Lens Mount              | M12   |                   |             |               |              |
| Angle of view (H)       | 112.9°  | 91.2°             |             |               |              |
| Angle of View (V)       | 59.1°   | 47.9°             |             |               |              |
| Angle of View (O)       | 121.2°  | 95.9°             |             |               |              |
| <b>DORI</b>             |   |                   |             |               |              |
| DORI Distance           | Lens (mm)   | Detect (m)        | Observe (m) | Recognize (m) | Identify (m) |
|                         | 2.8mm   | 84                | 33.6        | 16.8          | 8.4          |
|                         | 4.0mm   | 120               | 48          | 24            | 12           |
| <b>Illuminator</b>      |   |                   |             |               |              |
| IR Range                | Up to 30m (98ft) IR range   |                   |             |               |              |
| Wavelength              | 850nm   |                   |             |               |              |
| IR On/Off Control       | Auto/Manual   |                   |             |               |              |
| <b>Video</b>            |   |                   |             |               |              |
| Video Compression       | Ultra 265, H.265, H.264, MJPEG  |                   |             |               |              |
| H.264 code profile      | Baseline profile, Main profile, High profile  |                   |             |               |              |
| Frame Rate              | Main Stream: 8MP (3840*2160), Max 20fps; 5MP (3072*1728), Max 30fps; 4MP (2560*1440), Max 30fps; 1080P (1920*1080), Max 30fps;<br>Sub Stream: 1080P (1920*1080), Max 30fps; 720P (1280*720), Max 30fps; D1 (720*576), Max 30fps; 640*360, Max 30fps; 2CIF(704*288), Max 30fps; CIF(352*288), Max 30fps; |                   |             |               |              |
| Video Bit Rate          | 128 Kbps~16 Mbps  |                   |             |               |              |
| U-code                  | Supported   |                   |             |               |              |
| 9:16 Corridor Mode      | Supported   |                   |             |               |              |
| OSD                     | Up to 4 OSDs  |                   |             |               |              |
| Privacy Mask            | Up to 4 areas   |                   |             |               |              |
| ROI                     | Up to 8 areas   |                   |             |               |              |
| Motion Detection        | Up to 4 areas   |                   |             |               |              |
| <b>Image</b>            |   |                   |             |               |              |
| White Balance           | Auto/Outdoor/Fine Tune/Sodium Lamp/Locked/Auto2   |                   |             |               |              |
| Image Setting           | Image rotation, brightness, saturation, contrast, sharpness, gain adjustable by web browser   |                   |             |               |              |
| Digital noise reduction | 2D/3D DNR   |                   |             |               |              |

|                        |  |
|------------------------|--|
| Smart IR               | Supported  |
| Flip                   | Normal/Vertical/Horizontal/180°/90°Clockwise/90°Anti-clockwise   |
| Dewarping              | N/A  |
| HLC                    | Supported  |
| BLC                    | Supported  |
| Defog                  | Digital Defog  |
| <b>Audio</b>           |  |
| Audio Compression      | G.711  |
| Suppression            | Supported  |
| Sampling Rate          | 8KHZ   |
| <b>Storage</b>         |  |
| Edge Storage           | Micro SD, up to 256 GB   |
| Network Storage        | ANR,NAS(NFS)   |
| <b>Network</b>         |  |
| Protocols              | IPv4, IGMP, ICMP, ARP, TCP, UDP, DHCP, RTP, RTSP, RTCP, RTMP, DNS, DDNS, NTP, FTP, UPnP, HTTP, HTTPS, SMTP, SSL/TLS, 802.1x, SNMP  |
| Compatible Integration | ONVIF (Profile S, Profile G, Profile T), API, SDK  |
| User/Host              | Up to 32 users. 2 user levels: administrator and common user   |
| Security               | Password protection, Strong password, HTTPS encryption, Export operation logs, Basic and digest authentication for RTSP, Digest authentication for HTTP, TLS 1.2, WSSE and digest authentication for ONVIF |
| Client                 | EZStation<br>EZView<br>EZLive  |
| Web Browser            | Plug-in required live view: IE9+, Chrome 41 and below, Firefox 52 and below  |
|                        | Plug-in free live view: Chrome 57.0+, Firefox 58.0+, Edge 16+  |
| <b>Interface</b>       |  |
| Network                | 1 * RJ45 10M/100M Base-TX Ethernet   |
| Built-in Mic           | Supported  |
| <b>Certification</b>   |  |
| EMC                    | FCC: FCC Part 15   |
| Safety                 | CE: EN 60950-1<br>UL: UL60950-1<br>IEC 60950-1   |
| <b>General</b>         |  |
| Power                  | DC 12V±25%, PoE (IEEE 802.3af)   |
|                        | Power consumption: Max 4.5W  |
| Power Interface        | Ø 5.5mm coaxial power plug   |
| Dimensions (Ø x H)     | Φ109 x 83mm (Ø4.3" x 3.3")   |
| Weight                 | 0.37kg (0.82lb)  |
| Material               | Metal + Plastic  |
| Working Environment    | -30°C ~ 60°C (-22°F ~ 140°F), Humidity: ≤95% RH (non-condensing)   |
| Storage Environment    | -30°C ~ 60°C (-22°F ~ 140°F), Humidity: ≤95% RH (non-condensing)   |
| Surge Protection       | 4KV  |
| Reset Button           | Supported  |
| Ingress Protection     | Ingression protection: IP67  |

Vandal resistant: IK10

## Dimensions

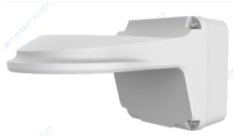


## Accessories

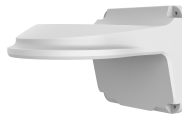
TR-JB03-G-IN



TR-JB07/WM03-G-IN



TR-WM03-D-IN



TR-UM06-E-IN



TR-UP06-IN



TR-A01-IN



TR-SE24-IN

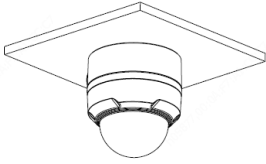
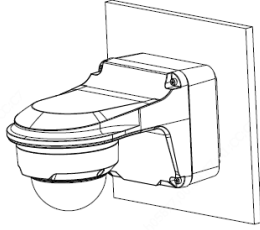
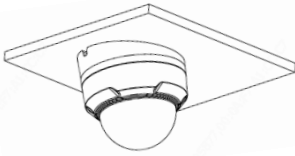
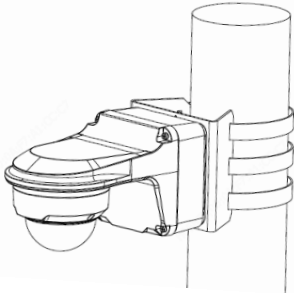
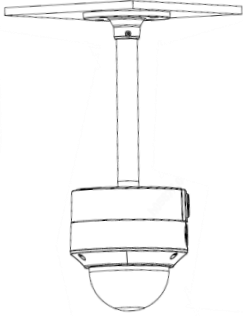


TR-SE24-A-IN



TR-CM24-IN



| Junction Mount   | Pole Mount   |
|--|--|
| TR-JB03-G-IN<br>              | TR-JB07/WM03-G-IN<br>           |
| TR-UM06-E-IN<br>              | TR-JB07/WM03-G-IN+TR-UP06-IN<br> |
| TR-CM24-IN+TR-JB03-G-IN<br> |  |

**Zhejiang Uniview Technologies Co., Ltd.**

Building No.10, Wanlun Science Park, Jiangling Road 88, Binjiang District, Hangzhou, Zhejiang, China (310051)

 Email: [overseasbusiness@uniview.com](mailto:overseasbusiness@uniview.com); [globalsupport@uniview.com](mailto:globalsupport@uniview.com)
<http://www.uniview.com>

©2021 Zhejiang Uniview Technologies Co., Ltd. All rights reserved.

\*Product specifications and availability are subject to change without notice.